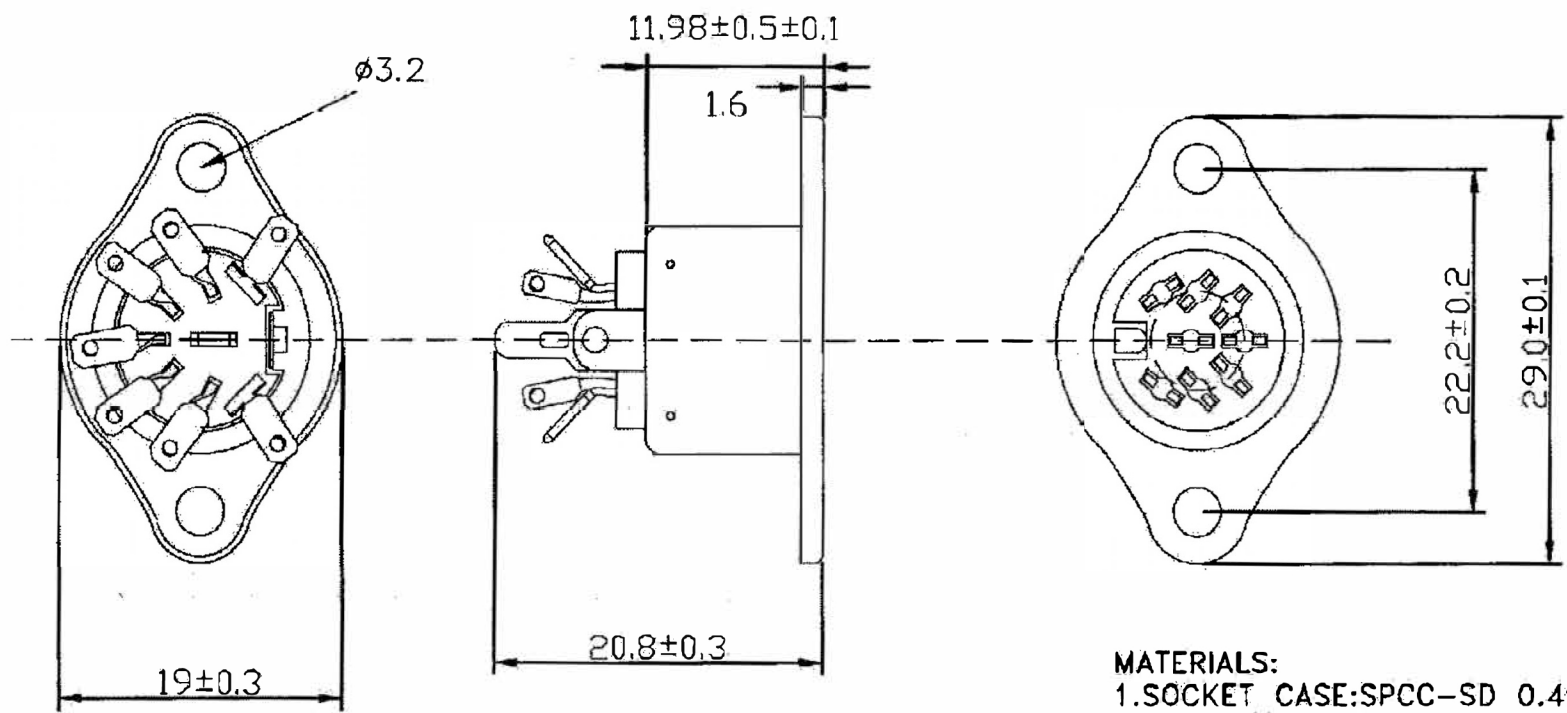



REVISIONS				
ZONE	REV	DESCRIPTION	DATE	APPROVED
			11/15/2017	



- MATERIALS:**
- 1.SOCKET CASE:SPCC-SD 0.4t  
NICKEL PLATED
  - 2.INSULATOR:P.B.T
  - 3.EARTH TERMINAL:PBSR-H 0.25t
  - 4.CONTACT PIN:BRAS 0.7t  
SILVER PLATED
  - 5.RIVET:AL NICKEL PLATED

**SPECIFICATIONS:**

- 1.RATING:100V AC AT 1A or 12V DC 2A MAX
- 2.INSULATION RESISTANCE: OVER 100M IHM AT 500V DC
- 3.DIELECTRIC STRENGTH: 250V AC FOR ONE MINUTE
- 4.VOLTAGE WITHSTANDING: AC 1000V FOR ONE MIN.
- 5.INSERTION FORCE: 4.0KG MAX.
- 6.WITHDRAWAL FORCE: 1-3.5KG.
- 7.CONTACT RESISTANCE: 20m OHM MAX.
- 8.OPERATION TEMPERATURE: 5°C~70°C
- 9.LIFE CYCLE: 5000~10000TIMES

BY	DATE	 an INFINITO brand
DRAWN		
CHK'D		
APPRV		
MATERIAL	Title: 8 Pin DIN Female Solder Panel Mount Connector- 262° Style	
FINISH	Part No: 1730	SHEET 1 of 1
	SCALE	NONE

044-20

044-20